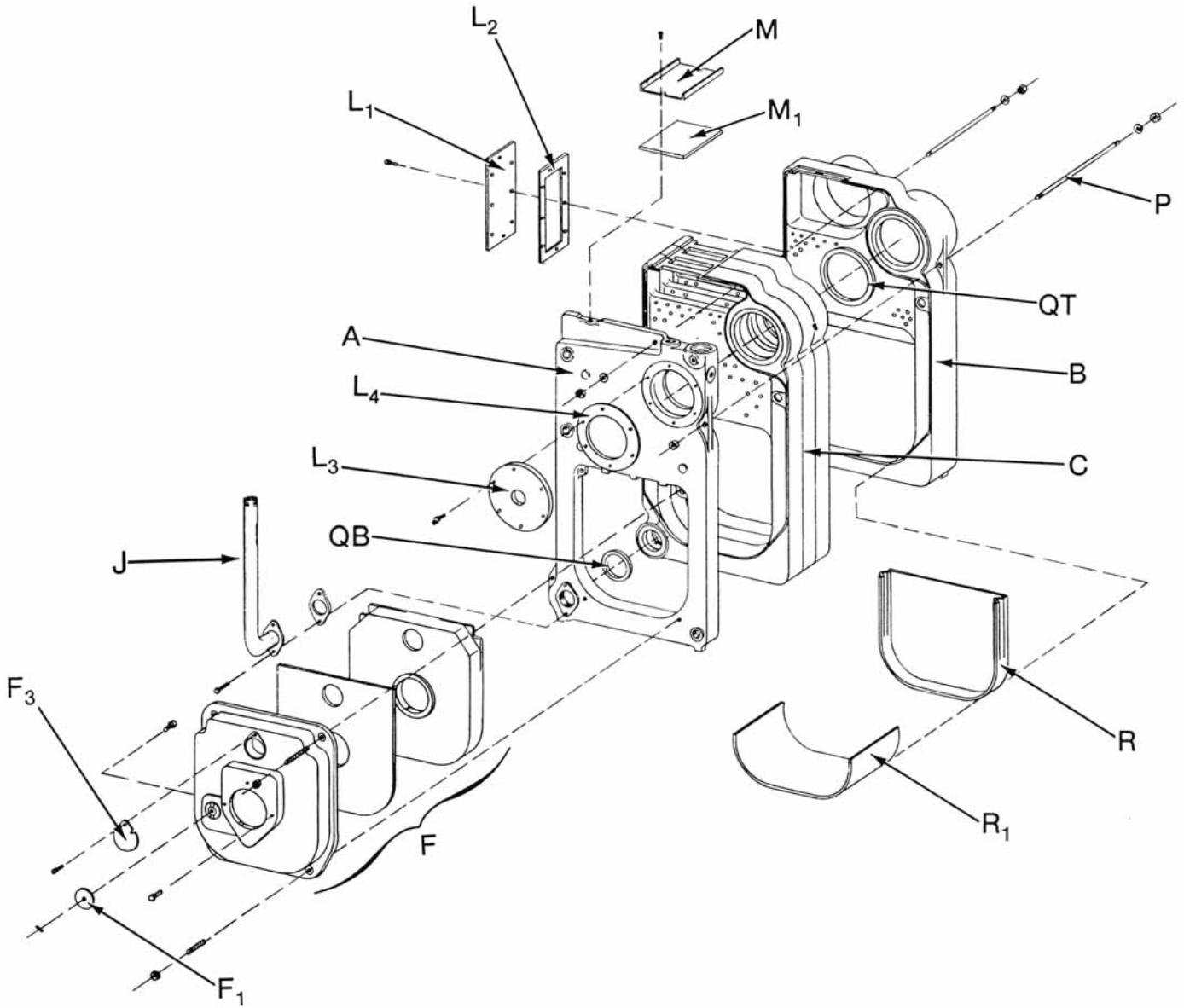


66HEA Section Assembly
Series 1 through 3

OIL



66HEA Section Assembly
Series 1 through 3

Fig. No.	Part No.	Description	Series No.
QB	592-800-010	3" Dia. BOTTOM ELASTOMER SEAL (1 per joint)	1-3
QT	592-800-007	6" Dia. TOP ELASTOMER SEAL (1 per joint)	1-3
NS	591-641-866	Cope Seal, for sealing sections, 7' per joint	1-3
NS	591-706-214	Flue Brush	1-3
F ₃	460-039-867	OBSERVATION PORT SHUTTER	1-3
J	591-124-002	RETURN PIPE MANIFOLD	1-3
NS	590-317-535	RETURN PIPE MANIFOLD GASKET	1-3
L ₁	450-030-934	Cover Plate for Heater Opening (Rectangular)	1-3
L ₂	590-317-579	Gasket Cover Plate (Rectangular)	1-3
L ₃	389-900-102	Cover Plate for Heater Opening (Round)	1-3
L ₄	590-317-495	Gasket Cover Plate (Round)	1-3
NS	560-340-577	Tankless stud and nut, Rectangle plate requires 8, Round plate requires 6	1-3
R R1	386-500-085	Combustion Chamber replacement Kit, contains front refractory, insulation blanket, rear wet pack, 4oz. Waterglass and instructions	1-3

NOTE: Above is the list of all remaining available parts for the 66 boiler section assembly

66 Water Trim Series 3

OIL



Fig. No.	Part No.	Description	Mfr.	Mfr.'s Part No.
1	510-218-097	COMBINATION PRESSURE-TEMPERATURE GAUGE, 2 1/2" dial, 0-60° P.S.I.G., 60 TO 260° F., long shank, back connection, 1/4" N.P.T.	Ametek	PTA 1088 SPEC.199995
		COMBINATION PRESSURE-TEMPERATURE GAUGE, 2 1/2" dial, 0-60° P.S.I.G., 60 TO 260° F., long shank, back connection, 1/4" N.P.T.	Ametek	PTA 1088 SPEC.199981
		COMBINATION PRESSURE-TEMPERATURE GAUGE, 2 1/2" dial, 0-60° P.S.I.G., 60 TO 260° F., long shank, back connection, 1/4" N.P.T.	ENFM-USA	4104-2
2	511-546-924	ASME PRESSURE RELIEF VALVE, set to relieve at 30 P.S.I.G., 3/4" N.P.T., female inlet	Conbraco	10-408-05
		ASME PRESSURE RELIEF VALVE, set to relieve at 30 P.S.I.G., 3/4" N.P.T., female inlet	Watts	335
	511-546-920	ASME PRESSURE RELIEF VALVE, set to relieve at 30 P.S.I.G., 3/4" N.P.T., female inlet	Watts	M330
3	510-311-040	COMBINATION HIGH LIMIT/LOW LIMIT/CIRCULATOR CONTROL, with 3/4" well, High Limit: 140° to 240° F. Low Limit Circulator: 100 to 200° F. Differential: high limit -10° F fixed, low limit-circulator -10° to 35° F. adjustable Switch Action: high limit-open on rise, low limit-circulator SPDT circulator (used with tankless heater)	Honeywell	L8124A1155 (WITH STOP AT 220°)
	510-311-030	HIGH LIMIT CIRCULATOR RELAY, 140° TO 240° F. range, fixed subtractive differential, with 3/4" brass well #890213 (used without tankless heater)	Honeywell	L8148A1157 (WITH STOP AT 220°)
4	591-319-848	WIRING HARNESS Obsolete with no parts available	Weil-McLain	-
5	511-210-423	3/4" DRAIN COCK	Conbraco	31-606-01
6	591-319-856	DUAL WIRING HARNESS Obsolete with no parts available	Weil-McLain	-
7	511-405-113	CIRCULATOR, 1/25 H.P., 120/60/1 motor, 1750 R.P.M., 0.75 amps.	Taco	007
	511-405-118	CIRCULATOR, 1/20 H.P., 120/60/1 motor, 1750 R.P.M.	Bell & Gossett	NRF-22
8	381-354-526	CIRCULATOR UNIVERSAL HARDWARE KIT 1 1/4" (Includes: (1) Flange, (1) Gasket, (2) Screws and (2) nuts) for sizes 2, 3 & 4 only	Weil-McLain	-
8	381-354-531	CIRCULATOR UNIVERSAL HARDWARE KIT 1 1/2" (Included: (1) Flange, (1) Gasket, (2) Screws and (2) nuts) for sizes 5, 6, 7 only	Weil-McLain	-
9	590-317-535	UNIVERSAL CIRCULATOR GASKET	Weil-McLain	-
NS	590-921-904	Tankless Heater- water boiler, includes heater, gasket, nuts and studs. For boiler size 366 & 466	Heat Transfer Products	E-624
NS	590-921-905	Tankless Heater- water boiler, includes heater, gasket, nuts and studs. For boiler size 566 & 666	Heat Transfer Products	E-626
NS	590-921-901	Tankless Heater- water boiler, includes heater, gasket, nuts and studs. For boiler size 766, 866 & 966	Heat Transfer Products	E-632

66 Steam Trim Series 3

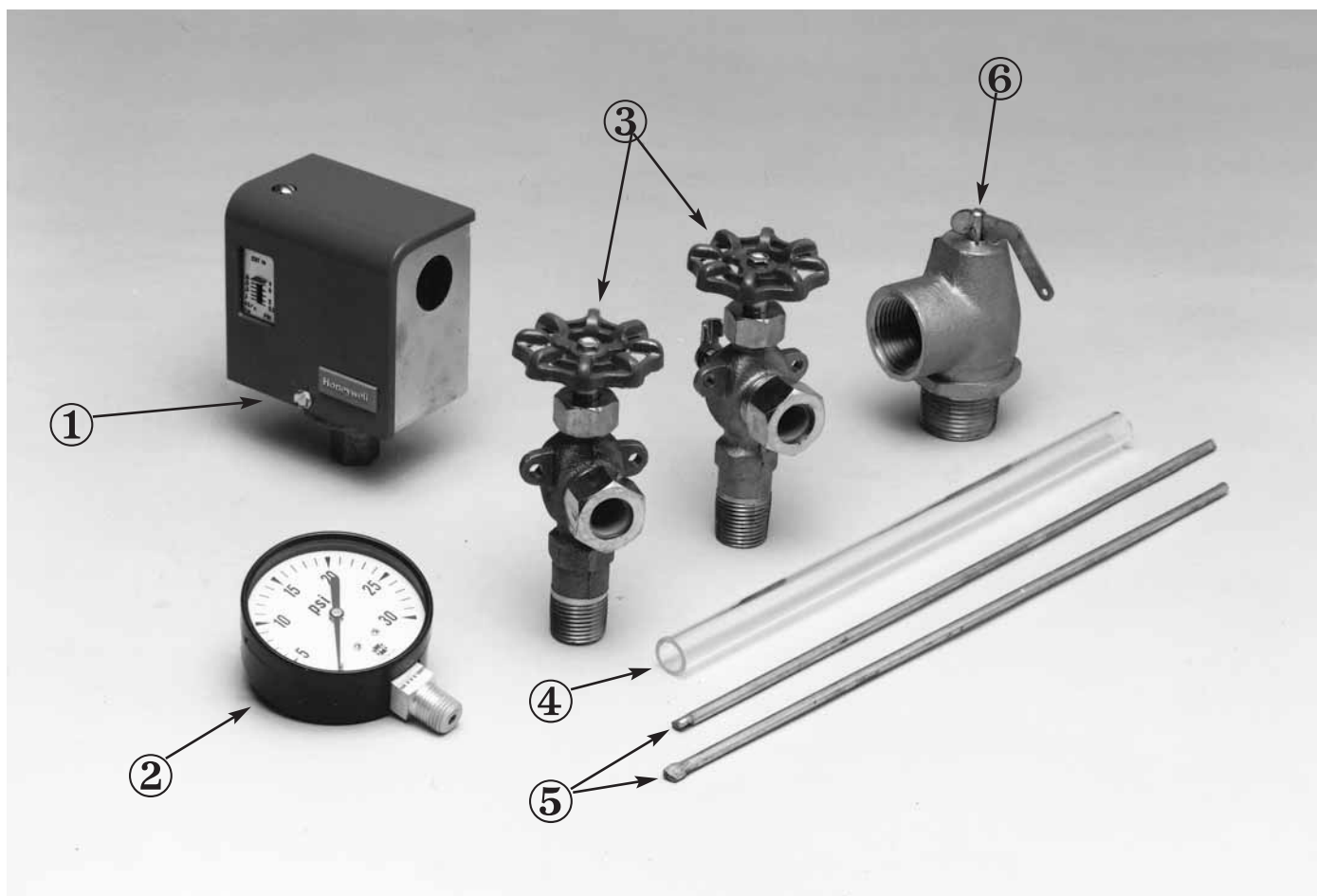


Fig. No.	Part No.	Description	Mfr.	Mfr.'s Part No.
1	510-312-135	HIGH PRESSURE LIMIT, 0-9 P.S.I.G. adjustable, 0-5 P.S.I.G. adjustable subtractive differential, open on high pressure switch action	Honeywell	PA404A1009
2	510-218-035	PRESSURE GAUGE, 2 1/2" dia., 0-30 P.S.I.G., bottom connection, 1/4" N.P.T.	Ametek	P500 (spec. 163278) P500 (spec. 047738)
3	510-218-145	WATER GAUGE GLASS COCKS, set of 2, 1/2" N.P.T.	Conbraco	21-205-03 (B55)
4	383-600-000	Water Gauge Glass Kit, 5/8" x 7 3/8" with gaskets and brass washers.	Weil-McLain	-
5	563-334-580	WATER GAUGE GLASS GUARDS 3/16" dia. X 9 3/8" long (2 required)	Weil-McLain	-
6	511-548-023	ASME PRESSURE RELIEF VALVE, 3/4" N.P.T. male, (set to relieve at 15 P.S.I.G.)	Conbraco Watts	13-511-08 315
NS	590-921-903	Tankless Heater - steam boiler, includes heater, gasket, nuts and bolts. For boiler size 366 thru 966	Heat Transfer Products	35-S-29

P-266 Trim Series 3

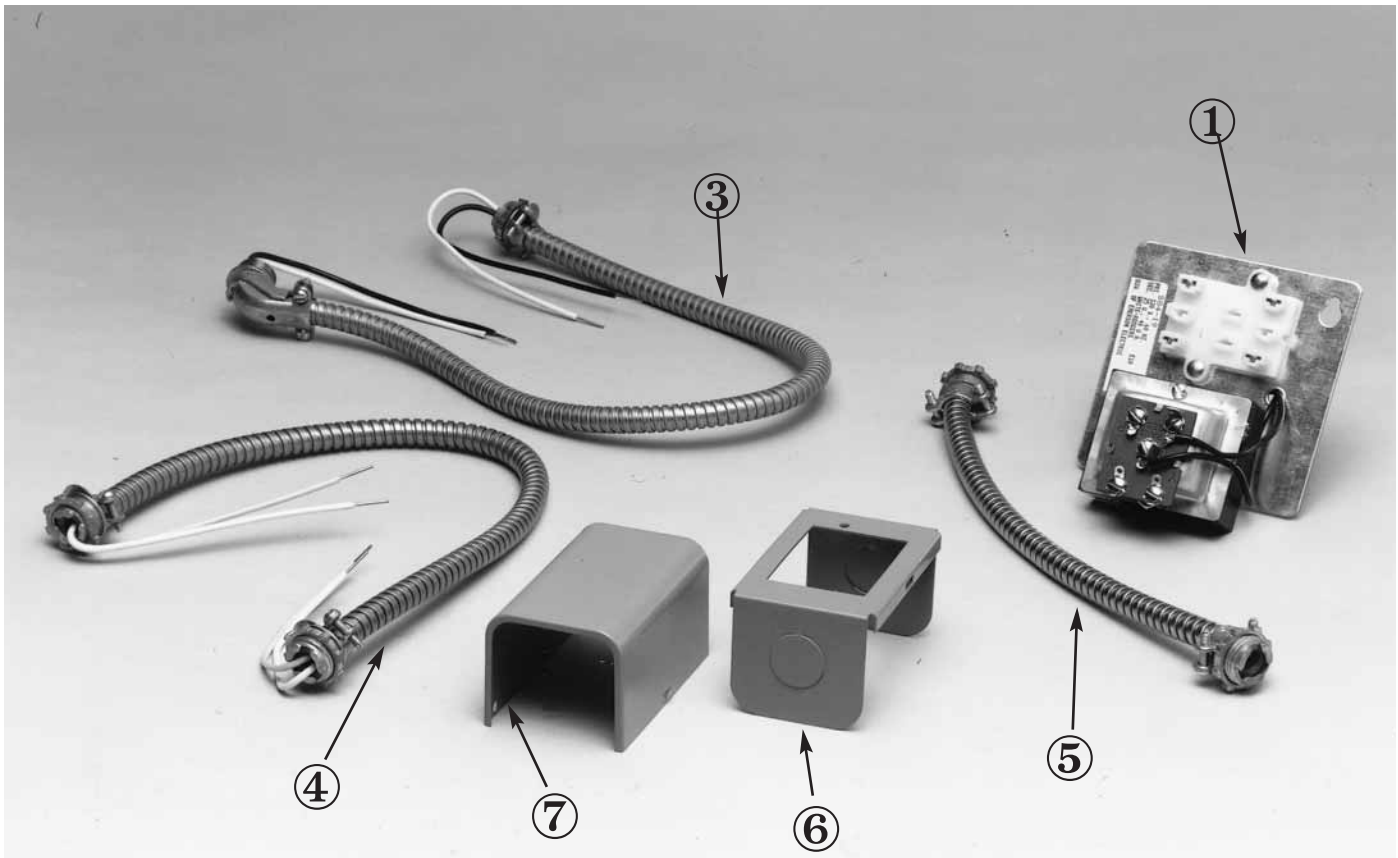


Fig. No.	Part No.	Description	Mfr.	Mfr.'s Part No.
1	510-312-166	TRANSFORMER w/relay receptacle rated at 40 VA at 1.6 Amps. At 24Volts	Honeywell	R8285K1004 w/bale wire
			Products Unlimited	57-01E07C5F223
			White-Rodgers	S84A-85 w/bale wire
			White-Rodgers	599-9001
	510-350-223	PLUG-IN RELAY, full load 12 Amps., locked rotor 60 Amps., resistive 20.8 Amps., up to 3/4H.P., with double quick-connect terminals	Honeywell	R8222U1006
			Products Unlimited	9100-241 Q223
			White-Rodgers	91-112006-11000
			White-Rodgers	91-322000-11000
3				obsolete
4				obsolete
5				obsolete
6				obsolete
7				obsolete
	510-312-250	HIGH LIMIT TEMPERATURE CONTROL, SPST, automatic recycle, 140-240°F., with 3/4" N.P.T. control well	Honeywell	L4080D1036
			White-Rodgers	11B81-3

NOTE: Many parts are obsolete, call for availability.