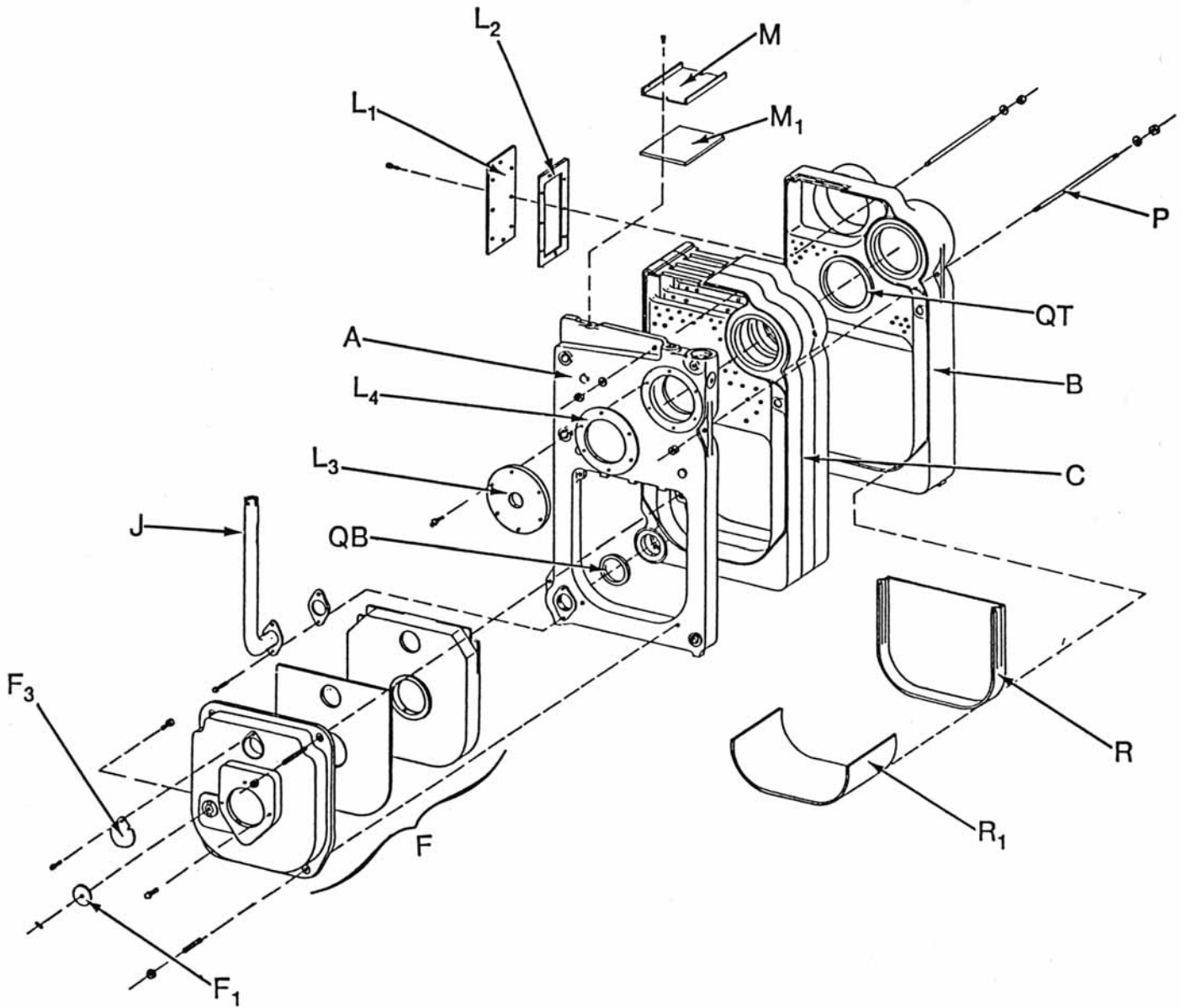
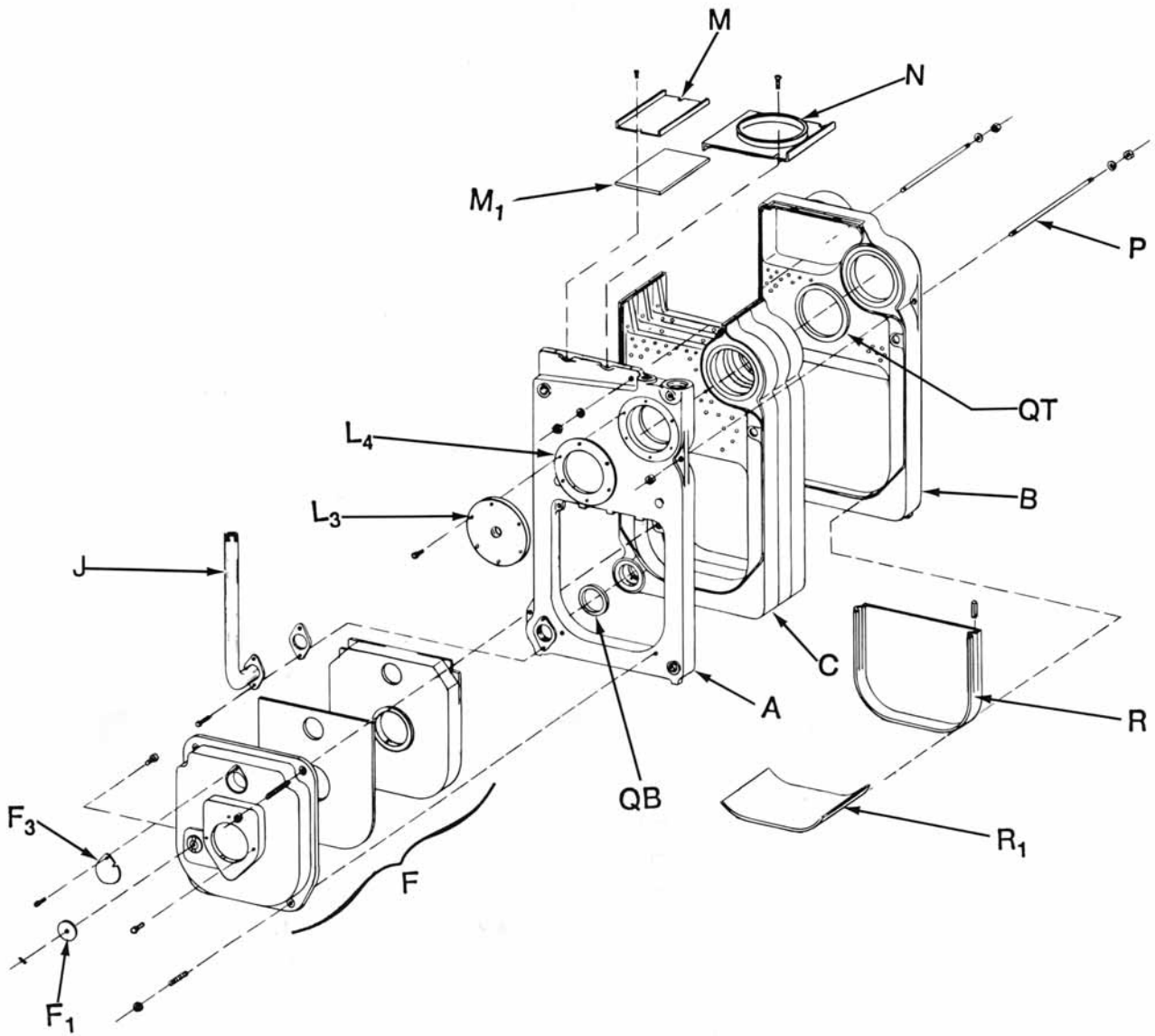


P-68, B-68 and A-68
Section Assembly



P-68V, B-68V, and A-68V
Section Assembly



Boiler Parts List
P-68, B-68, and A-68,
P-68V, B-68V, and A-68V
Series 1

Fig. No.	Part No.	Description	Series No.
F ₃	460-039-867	Observation Port Shutter	1
J	591-124-002	Return Pipe Manifold	1
	590-317-535	Gasket for Return Pipe Manifold	
L ₁	450-030-934	Cover Plate for Heater Opening (Rectangular)	1
L ₂	590-317-579	Gasket for Cover Plate (Rectangular)	1
L ₃	592-243-217	Cover Plate for Heater Opening (Round) (P-68-WT) (P-68V) ³ / ₄ " hole	1
	592-243-216	Cover Plate for Heater Opening (Round) (A/68), P-68-S(T) (A & B-68V)1 ¹ / ₂ " hole	1
L ₄	590-317-495	Gasket for Cover Plate (Round)	1
NS	560-340-577	Tankless stud and nut, Rectangle plate requires 8, Round plate requires 6	1
R R1	386-500-085	Combustion chamber Replacement Assembly (Includes Insulation Blanket, Back Refractory, Front Refractory, 4 oz. Water Glass, Installation Instructions) NOTE: Back Refractory in now Wet Pack.	1
	591-000-061	Front Refractory	1
R	591-000-064	Back Refractory, Wet Pack	1
R1	591-221-236	Refractory Blanket, apply usinr waterglass, fits all sizes of boiler	1
	591-632-612	Waterglass, 4 oz.	1
NS	591-641-866	Cope seal for sections, 7' per joint	1
NS	591-706-214	Flue Brush, 123DMG	1
M ₁	386-500-086	Cleanout plate gasket kit, for all sizes of boiler	1
QB	592-800-010	3" dia Bottom Elastomer Seal (1 per Joint)	1
QT	592-800-007	6" dia Top Elastomer Seal (1 per Joint)	1

NOTE: Above is the list of all remaining available parts for the 68 boiler section assembly.

68/68V Water Trim

OIL



68/68V Water Trim

Fig. No.	Part No.	Description	Mfr.	Mfr.'s. Part No.	Boiler Size
WATER TRIM COMPONENTS COMMON TO ALL 68 AND 68V WATER BOILERS					
1 ■	510-218-099	Combination pressure-Temperature Gauge, 2 1/2" Dial, 0-60 PSIG, 60-260° F, Short Shank, Back Connection, 1/4" N.P.T.	ENFM-USA	4104	ALL
1 ■	510-218-099	Combination pressure-Temperature Gauge, 2 1/2" Dial, 0-60 PSIG, 60-260° F, Short Shank, Back Connection, 1/4" N.P.T.	Ametek	PTA1088	ALL
1 ■	510-218-097	Combination pressure-Temperature Gauge, 2 1/2" Dial, 0-60 PSIG, 60-260° F, Long Shank, Back Connection, 1/4" N.P.T.	ENFM-USA	4104	ALL
1 ■	510-218-097	Combination pressure-Temperature Gauge, 2 1/2" Dial, 0-60 PSIG, 60-260° F, Long Shank, Back Connection, 1/4" N.P.T.	Ametek	PTA1088	ALL
2 ■	511-546-924	ASME Pressure Relief Valve, Set to Relieve at 30 PSIG, 3/4" N.P.T. Female Inlet	Watts	335	ALL
2 ■	511-546-924	ASME Pressure Relief Valve, Set to Relieve at 30 PSIG, 3/4" N.P.T. Female Inlet	Conbraco	10-408-05	ALL
ADDITIONAL WATER TRIM COMPONENTS FOR B-68 AND B-68V WATER BOILERS					
3 ■	510-311-040	Combination High Limit, Low Limit Circulator Control & Relay HIGH LIMIT: 130° – 220° F, with 10° F Fixed Subtractive Differential LOW LIMIT: 110° – 220° F, with 10° - 35° F Fixed Subtractive Differential Full Load on Circulator Control Circuit, 7.4 Amps, Locked rotor 44.4 Amps. Supplies 24 Volts to Relay at .2 Amps. Furnished with Tankless Heater	Honeywell	L8124C-1102	ALL
3 ■	510-311-040	Combination High Limit, Low Limit Circulator Control & Relay HIGH LIMIT: 130° – 220° F, with 10° F Fixed Subtractive Differential LOW LIMIT: 110° – 220° F, with 10° - 35° F Fixed Subtractive Differential Full Load on Circulator Control Circuit, 7.4 Amps, Locked rotor 44.4 Amps. Supplies 24 Volts to Relay at .2 Amps. Furnished with Tankless Heater	White-Rodgers	NA	ALL
	592-300-005	3/4" Well for 510-311-040 limit			
4 ■	510-311-030	High Temperature Limit control and Relay, 180° to 220° F. 15° fixed differential, Full Load 7.4 Amps at 120 Volts, 24V, without Tankless Heater	Honeywell	L8148A-1157	ALL
4 ■	510-311-030	High Temperature Limit control and Relay, 180° to 220° F. 15° fixed differential, Full Load 7.4 Amps at 120 Volts, 24V, without Tankless Heater	White-Rodgers	NA	ALL
	592-300-006	3/4" Well for 510-311-030 limit			ALL
ADDITIONAL WATER TRIM COMPONENTS FOR P-68 AND P-68V WATER BOILERS					
5	511-210-423	3/4" N.P.T. Drain Cock	Conbraco	31-606-01	ALL
6 ■	511-405-113	Circulator 1/25 H.P., 120/60/1 Motor, 1750 rpm, 0.75 Amps	TACO	007	ALL
6 ■	511-405-118	Circulator, 1/20 H.P., 120/60/1 Motor, 1750 rpm	Bell & Gossett	NRF-22	ALL
7 ■	563-910-012	Pump Flange, 1 1/4"	Bell & Gossett	PO3250	ALL
7 ■	563-910-013	Pump Flange, 1 1/4"	TACO	110-249	ALL
8	590-317-543	Circulator Gasket for TACO Circulators (two required)	TACO	110-339	ALL
8	590-317-535	Circulator Gasket for Bell & Gossett Circulators (two required)	Weil-McLain		ALL
NS	590-921-904	Tankless Heater - water boiler, includes heater, gasket nuts and studs. For boiler size 368 & 468	Heat Transfer Products		E-624
NS	590-921-905	Tankless Heater - water boiler, includes heater, gasket 68 & 668	Heat Transfer Products		E-626
NS	590-921-901	Tankless Heater - water boiler, includes heater, gasket nuts and studs. For boiler size 768, 868 & 968	Heat Transfer Products		E-632

■ Alternate components

68/68V Steam Trim

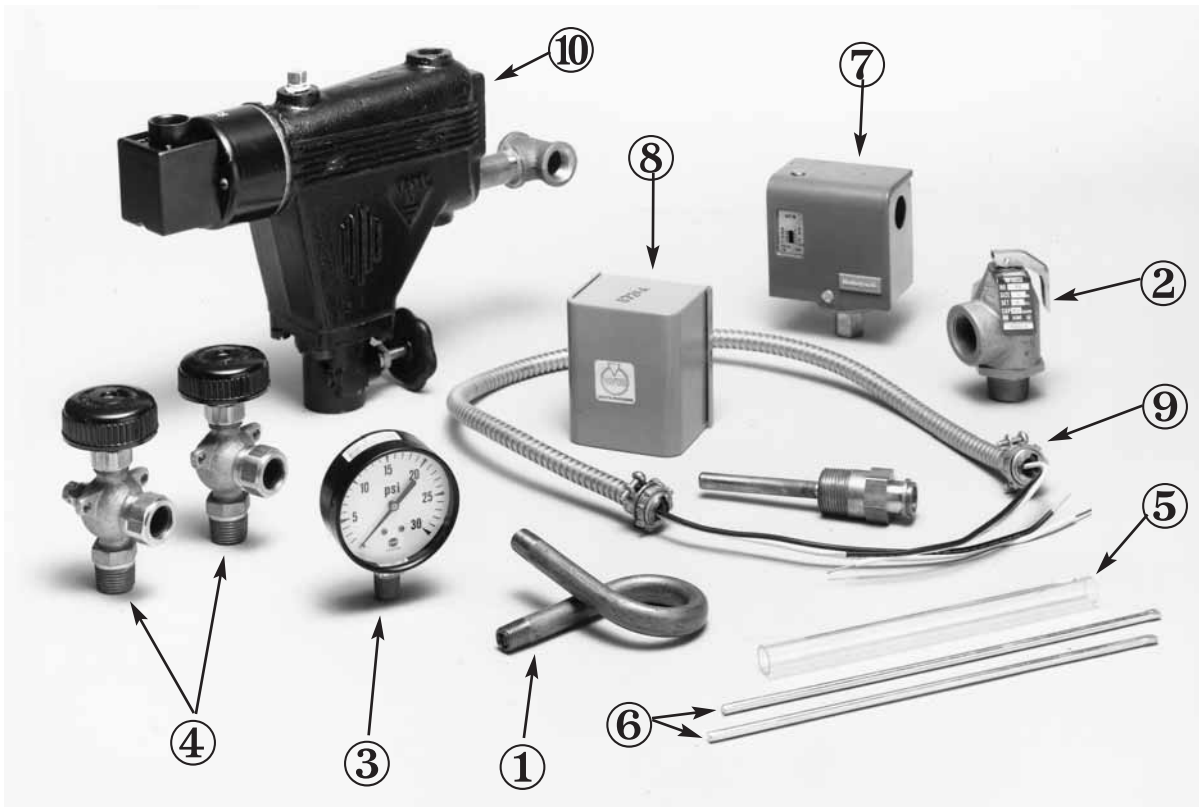


Fig. No.	Part No.	Description	Mfr.	Mfr.'s Part No.	Boiler Size
STEAM TRIM COMPONENTS COMMON TO ALL 68 STEAM BOILERS					
1	560-640-696	90° Syphon, ¼" Brass Pipe	Honeywell	L3239	ALL
2 ■	511-548-023	ASME Steam Safety Valve, Set to Relieve at 15 PSIG, Side Outlet, ¾" N.P.T. Male Inlet, 446 lbs/hr Capacity	Conbraco	13-511-08	ALL
2 ■	511-548-023	ASME Steam Safety Valve, Set to Relieve at 15 PSIG, Side Outlet, ¾" N.P.T. Male Inlet, 446 lbs/hr Capacity	Watts	315	ALL
3	510-218-035	Pressure Gauge, 0 – 30 PSIG, 2 ½" dial, Bottom Connection, ¼" N.P.T.	Ametek	P500	ALL
4	510-218-135	Water Gauge Glass Cocks, Set ½" N.P.T.	Conbraco	20-205-03W	ALL
5	383-600-000	Water Gauge Glass Kit, 5/8" x 7 3/8" with gaskets and brass washers.	Weil-McLain		ALL
6	563-334-580	Water Gauge Glass Guard, 3/16" dia. X 9 3/8" Long (2 Required)	Weil-McLain		ALL
ADDITIONAL STEAM TRIM COMPONENTS FOR B-68 AND P-68 BOILERS					
7 ■	510-312-135	High Pressure Limit, 0-15 PSIG Adjustable, Subtractive Differential 1-8 PSIG, Adjustable, Open on High Pressure switch Action	Johnson controls	P47EA-3D	ALL
7 ■	510-312-135	High Pressure Limit, 0-15 PSIG Adjustable, Subtractive Differential 1-8 PSIG, Adjustable, Open on High Pressure switch Action	Honeywell	PA404A-1009	ALL
8	510-312-209	High Limit Temperature Control, SPST, automatic recycle, 140° – 240° F Range, 10° Fixed subtractive Differential, with ¾" N.P.T. Well (Furnished with Tankless Heater) on boilers with Tank.	Honeywell	L4080B-1311	ALL
8	510-312-209	High Limit Temperature Control, SPST, automatic recycle, 140° – 240° F Range, 10° Fixed subtractive Differential, with ¾" N.P.T. Well (Furnished with Tankless Heater) on boilers with Tank.	White-Rodgers	11B83-16	ALL
ADDITIONAL STEAM TRIM COMPONENTS FOR P-68 BOILERS					
9	591-319-848	Wiring Harness (Burner to Limit Control)			ALL
10	511-114-494	Float type Low Water Cut-Off, with ½" N.P.T. Connections and a ¾" Blow-Down Valve	McDonnell-Miller	67W-1	3, 4, 5, 6, 7
NS	590-921-903	Tankless Heater - water boiler, includes heater, gasket nuts and studs. For boiler size 368 & 968	Heat Transfer Products		35-S-29