

88 Section Assembly

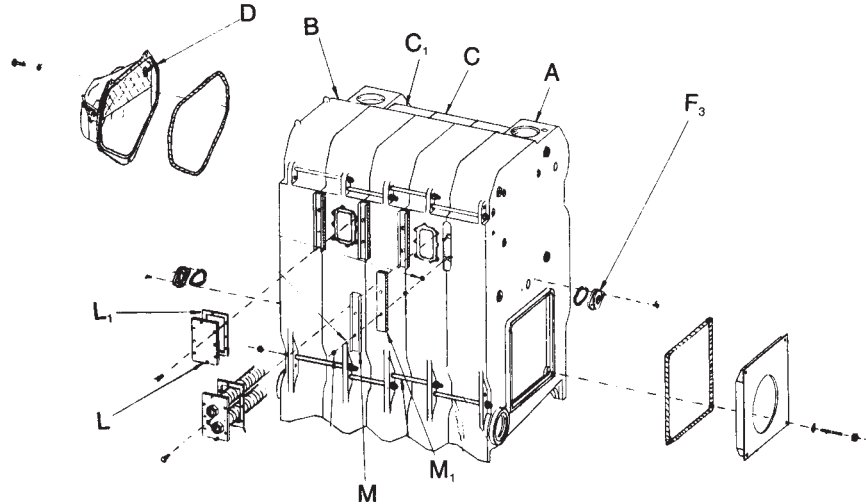


Fig. No.	Part No.	Description	Notes
	316-301-154	Front Section – 8813 – 80 P. S. I.	
B	316-301-174	Back Section – 8818 – 80 P. S. I.	■
C	316-301-164	Regular Intermediate Section – 8815 – 80 P. S. I.	■
C1	316-301-169	Tankless Intermediate Section – 8816 – P. S. I.	■
	316-301-159	Supply Intermediate Section w/ 5" N.P.T. Supply Outlet Tapping – 8814 – 80 P. S. I.	■
	386-300-213	86/88 Section Replacement Kit (Incl. rope, seals, sealant, rope adhesive)	
	560-134-495	5/8" x 11" Draw Rod w/o Nut (4 per joint) Int. to Int.	
	560-134-505	5/8" x 13" Draw Rod w/o Nut (4 per joint), Frt. or Bk. to Int.	
	561-928-224	5/8-11 Nut Hex (2 per draw rod)	
	562-248-710	5/8" Washer (1 per draw rod)	
	590-735-140	1/2" Dia. Sealing Rope type HD-500 (13' per joint, 7" for burner plate, 6' for collar)	
	590-735-145	1/8" Dia. Wick (1 for damper locking plate) Type FNS 125	
	590-735-150	3/8" Dia. Sealing Rope (1' per observation port) Type MD-375	
	591-638-851	Silicone Sealant RTV700, 3 oz.	
	591-641-850	Construction Adhesive for Sealing Rope, 11 oz.	
	591-706-214	Flue Brush, 123 DMG	■
	592-800-005	Square Cut Seal, 9" (1 per joint)	
	592-800-007	Square Cut Seal, 6" (1 per joint)	
D	340-004-606	Flue Collar Assembly, 10" (Includes Flue Collar, Damper, Damper Quadrant, Locking Plate, Swivel and Brackets) (488-688)	
D	340-004-607	Flue Collar Assembly, 12" (Includes Flue Collar, Damper, Damper Quadrant, Locking Plate, Swivel and Brackets) (788-888)	
D	340-004-608	Flue Collar Assembly, 14" (Includes Flue Collar, Damper, Damper Quadrant, Locking Plate, Swivel and Brackets) (988-1388)	
D	340-004-609	Flue Collar Assembly, 16" (Includes Flue Collar, Damper, Damper Quadrant, Locking Plate, Swivel and Brackets) (1488-1688)	
D	340-004-612	Flue Collar Assembly, 18" (Includes Flue Collar, Damper, Damper Quadrant, Locking Plate, Swivel and Brackets) (1788-1888)	
	330-056-634	Quadrant for Flue Collar	
	460-003-646	Damper Blade for Flue Collar	
	563-530-784	Damper Locking Plate for Flue Collar	
F3	385-600-099	Observation Port Assembly (Includes Frame, Sealing Rope, Plugs and Sight Glass)	
	590-317-580	Washer for Sight Glass, 2 1/8" x 1 1/4" x 1/8"	
	591-419-199	Sight Glass, 2" Round x 1/8"	
L	450-030-934	Cover Plate for Heater Opening (Rectangular)	
L1	590-317-579	Gasket for Heater Cover Plate (Rectangular)	
M	450-030-925	Cleanout Plate (1 per joint)	
M1	591-221-271	Cleanout Plate Gasket, 1/2" x 2-7/8" x 15 1/2"	
NS	Available locally	Cleanout bolts and nuts, (2 per cleanout) 1/4" 20 1.75 zinc plated, carriage bolts, 1/4" plain washer, 1/4" – 20 hex nut	
NS	386-300-211	88 Combustion Chamber Kit	
NS	560-340-577	3/8" x 1 1/8" stud & nut for heater cover plate	
	591-632-612	Waterglass (4 oz. Bottle)	

■ Indicates current TPS R/C product

88 Water Trim

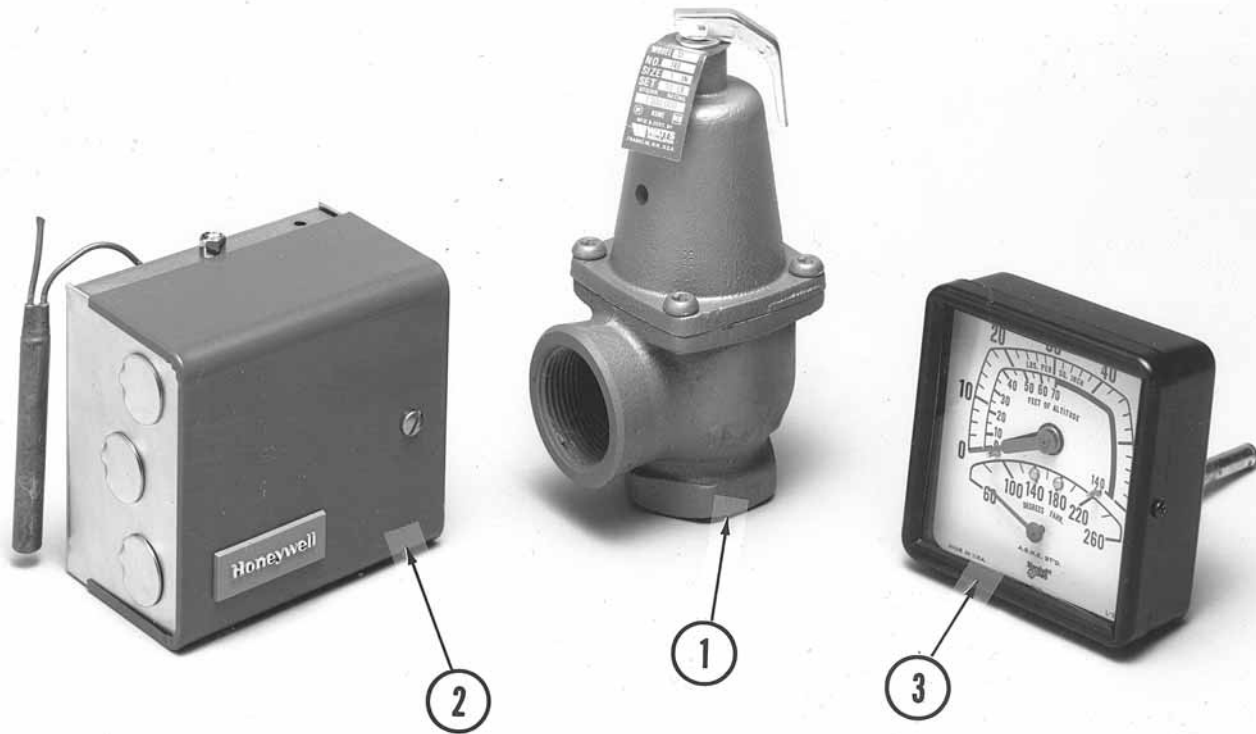


Fig. No.	Part No.	Description	Mfr.	Mfr.'s Part No.	88 Series 1 Boiler Size	Notes
1	511-546-930	ASME Pressure Relief Valve, Set to Relieve at 30 PSIG, 1" Inlet x 1 1/4", Brass, Side Outlet	Watts	740	4, 5	
1	511-546-935	ASME Pressure Relief Valve, Set to Relieve at 30 PSIG, 1 1/4" Inlet x 1 1/2", Brass, Side Outlet	Watts	740	6 - 8	
1	511-546-940	ASME Pressure Relief Valve, Set to Relieve at 30 PSIG, 1 1/2" Inlet x 2", Brass, Side Outlet	Watts	740	9 - 11	
1	511-546-945	ASME Pressure Relief Valve, Set to Relieve at 30 PSIG, 2" Inlet x 2 1/2", Brass, Side Outlet	Watts	740	12 - 18	
2	510-312-065	Combination High Limit/Low Limit Control, with Well HIGH LIMIT: 130-240° F., LOW LIMIT: 115-240° F	Honeywell	L4081A1189	All Sizes	
2	510-312-065	Combination High Limit/Low Limit Control, with Well HIGH LIMIT: 130-240° F., LOW LIMIT: 115-240° F	White-Rogers	11C30-3	All Sizes	
3	510-218-065	Combination Pressure-Temperature Gauge, 0-55 PSIG, 60-260° F, Back Connection, 1/2" N.P.T., 3 1/2" Shank	ENFM	4104-3.25	All Sizes	
3	510-218-065	Combination Pressure-Temperature Gauge, 0-55 PSIG, 60-260° F, Back Connection, 1/2" N.P.T., 3 1/2" Shank, Spec 144435	Ametek	PT1088	All Sizes	
3	510-218-065	Combination Pressure-Temperature Gauge, 0-55 PSIG, 60-260° F, Back Connection, 1/2" N.P.T., 3 1/2" Shank, G22528	Marshalltown	13HJ	All Sizes	
3	510-218-099	Combination Pressure-Temperature Gauge, 0-55 PSIG, 60-260° F, Back Connection, 1/2" N.P.T., 2 1/2" Shank, Spec 199994	Ametek	PTA1088	All Sizes	
3	510-218-099	Combination Pressure-Temperature Gauge, 0-55 PSIG, 60-260° F, Back Connection, 1/2" N.P.T., 2 1/2" Shank, Spec 199980	Ametek	PTA1088	All Sizes	
3	510-218-099	Combination Pressure-Temperature Gauge, 0-55 PSIG, 60-260° F, Back Connection, 1/2" N.P.T., 2 1/2" Shank	ENFM	4104-2.50	All Sizes	
	590-921-909	Tankless Heater - includes heater, gasket, nuts and studs.	Heat Controller	820		

88 Steam Trim

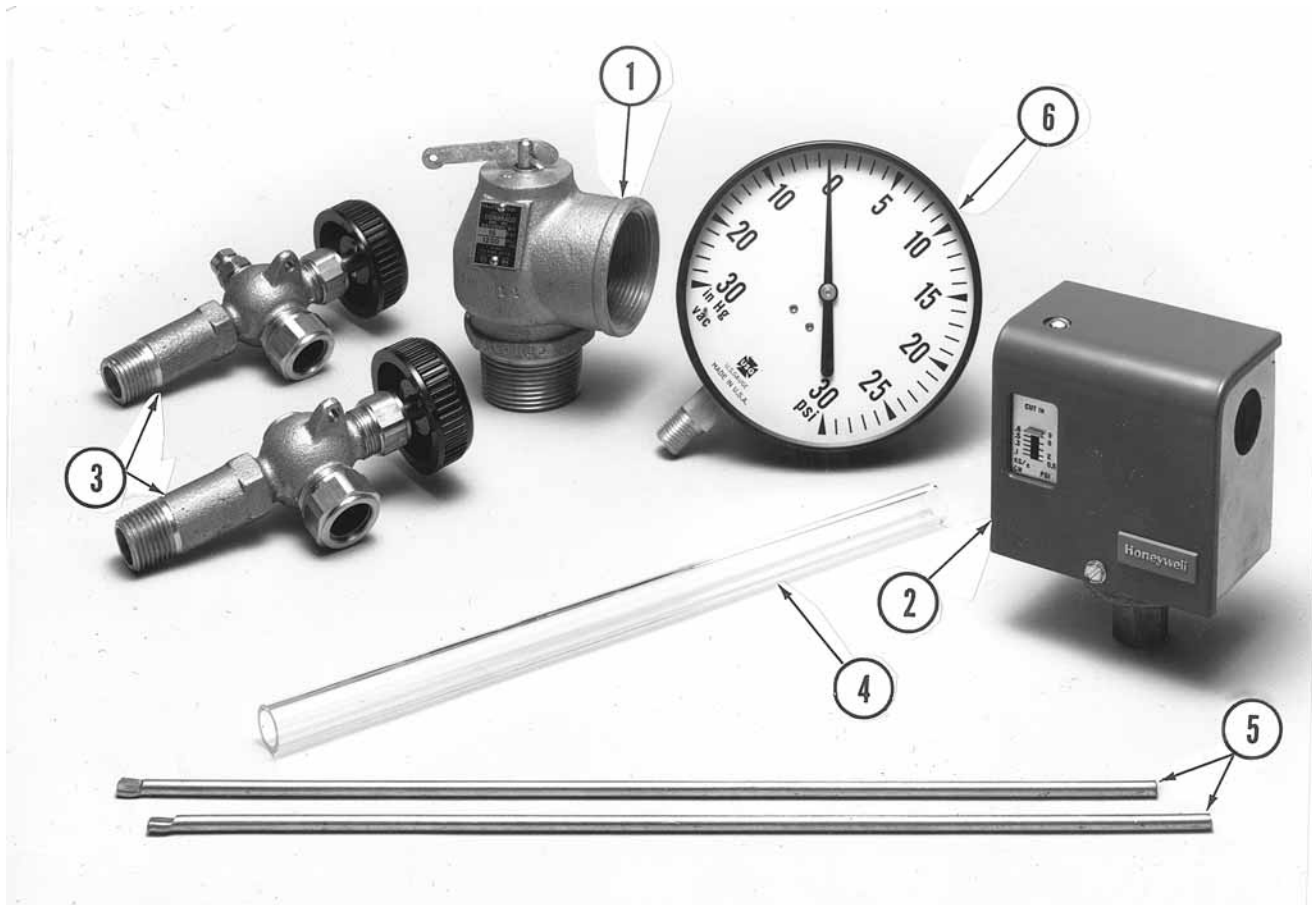


Fig. No.	Part No.	Description	Mfr.	Mfr.'s Part No.	Boiler Size	Notes
1	511-548-046	Steam Safety Valve, 1" N.P.T. Inlet, Side Outlet, 643 lbs/hr. Capacity, Brass	Conbraco	13-202-08	11	
1	511-548-051	Steam Safety Valve, 1 1/4" N.P.T. Inlet, Side Outlet, 1,200 lbs/hr. Capacity, Brass	Conbraco	13-213-08	4 - 5 12 - 14	
1	511-548-052	Steam Safety Valve, 1 1/2" N.P.T. Inlet, Side Outlet, 1,900 lbs/hr. Capacity, Brass	Conbraco	13-214-08	6 - 7	
1	511-548-056	Steam Safety Valve, 2" N.P.T. Inlet, Side Outlet, 2,500 lbs/hr. Capacity, Brass (2 Req'd on Sizes 15 - 18)	Conbraco	13-205-08	(1 req'd) 8-14 (2 req'd) 15-18	
2	510-312-135	High Pressure Limit, Operating Range: 0-9 PSIG, Differential: 0-5 PSIG	Honeywell	PA404A-1009	(2 req'd) All Sizes	
2	510-312-135	High Pressure Limit, Operating Range: 0-9 PSIG, Differential: 0-5 PSIG	Johnson Controls	P47EA-3D	(2 req'd) All Sizes	
3	510-218-145	Water Gauge Glass Cocks, Set of 2, 1/2" N.P.T., Male Inlet	Conbraco	21-205-03-W	All Sizes	
4	383-600-002	Water Gauge Glass Kit, includes glass, gaskets and brass washers	Weil-McLain		All Sizes	
5	563-334-595	Gauge Glass Guard, 12 1/2" Long x 3/16" Dia.	Weil-McLain		(2 req'd) All Sizes	
6	510-218-100	Combination Pressure-Vacuum Gauge, 0-30 PSIG, 0-30" High, 4 1/2" Dial, Bottom Connection, 1/4" N.P.T.	Ametek	USC500-5549	All Sizes	
	590-921-909	Tankless Heater - includes heater, gasket, nuts and studs.	Heat Controller	820		

Note: Boiler Sizes 12 - 14 Require (2) Steam Safety Valves - (1) 511-548-051 and (1) 511-548-056