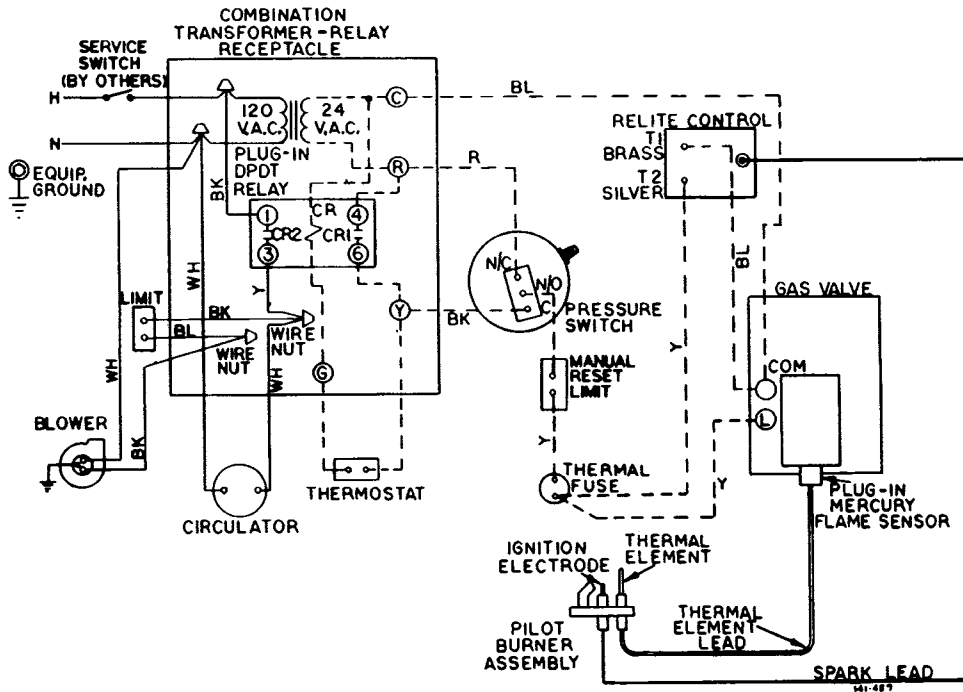


SCHEMATIC WIRING DIAGRAM



WARNING

Disconnect power source before installing and/or servicing unit.

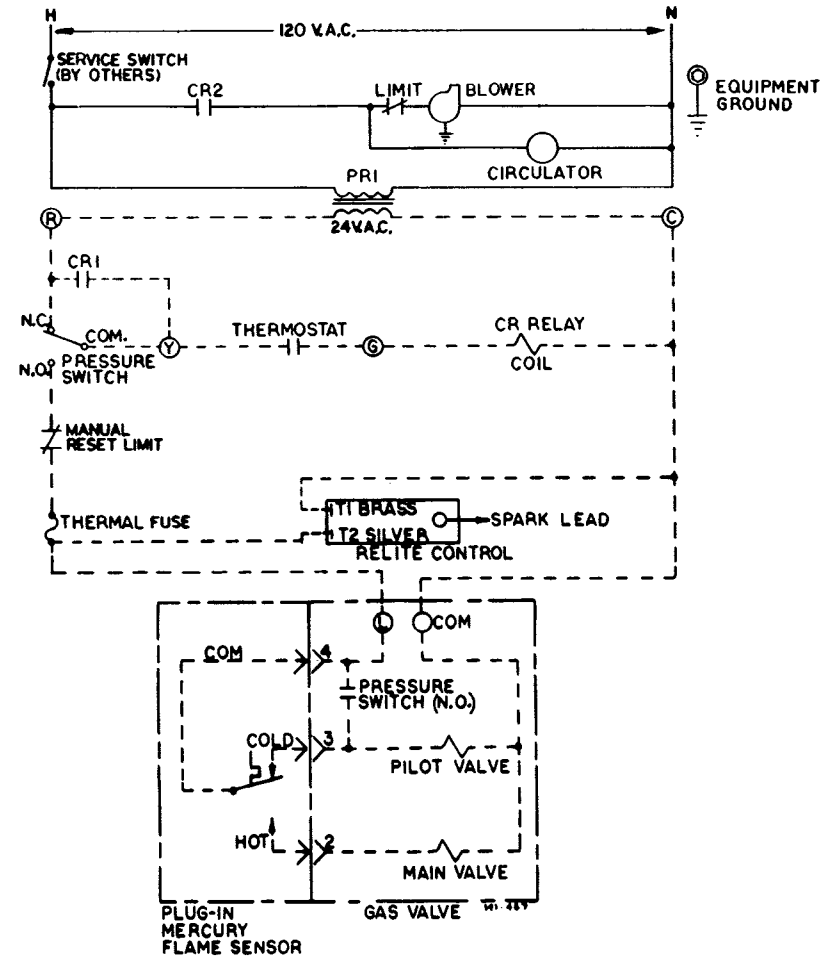
CAUTION

NOTES:

1. All wiring must be installed in accordance with the requirements of the National Electrical Code and any additional national, state, or local code requirements having jurisdiction.
2. All safety circuit wiring must be N.E.C. Class 1.
3. Refer to control components instructions sheets packed with boiler for application information.
4. Use only 90°C. Thermoplastic Wire or equivalent if any of the original wire must be replaced.

THERMOSTAT HEAT ANTICIPATOR SETTING
0.40 AMPS.

LADDER WIRING DIAGRAM



High Voltage Factory Wiring
Low Voltage Factory Wiring
High Voltage Field Wiring
Low Voltage Field Wiring

AHE Series 2 Boiler Schematic and Ladder Wiring Diagrams. White-Rodgers Cycle-Pilot® controls. Applicable for natural gas, forced hot water boilers.

WEIL-McLAIN
Michigan City, Indiana 46360
A Marley Company