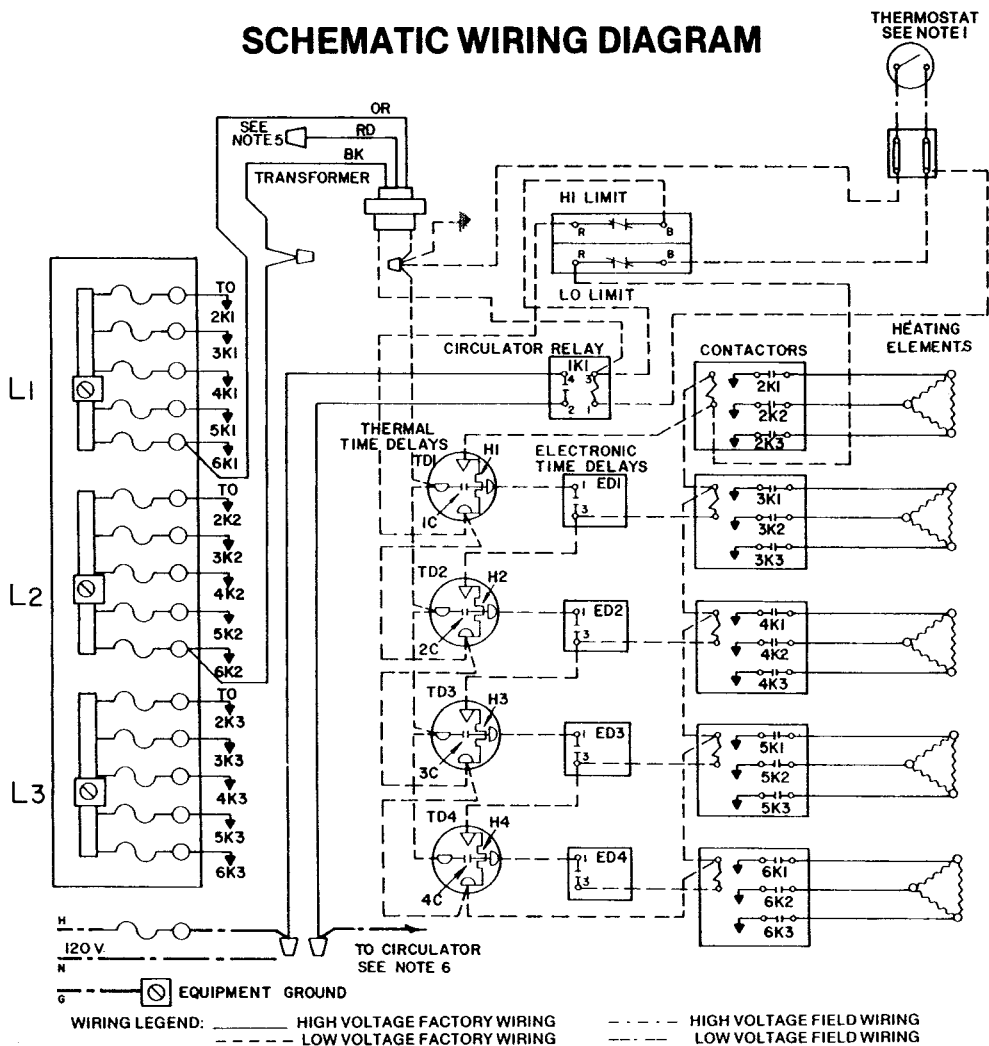
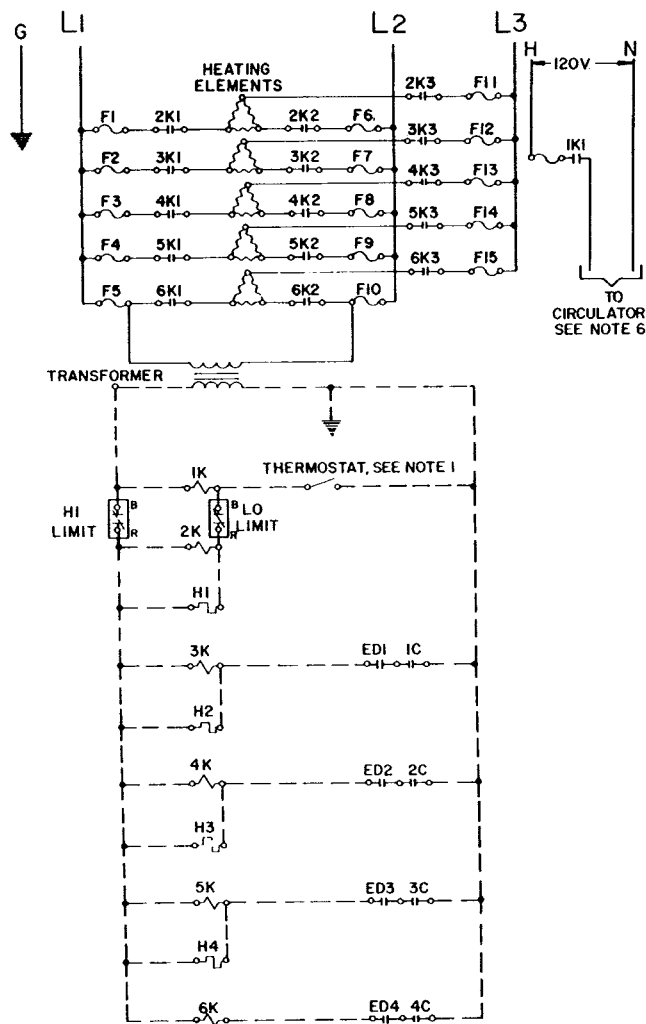


SCHEMATIC WIRING DIAGRAM



LADDER WIRING DIAGRAM



CAUTION

Disconnect power source before installing and/or servicing unit.

WARNING

NOTES:

1. Thermostat heat anticipator setting must be 0.5 amps.
2. All wiring must be installed in accordance with the requirements of the National Electrical Code and any additional national, state, or local code requirements having jurisdiction.
3. All safety circuit wiring must be N.E.C. Class 1.
4. Use only copper conductors for power input wiring.
Do not use aluminum conductors.
5. For 208 Volt Power Supply, remove orange wire and replace with red wire.
6. Maximum circulator motor, 1/4 H.P.

CER, Series 2 Electric-Hydronic Boiler Schematic and Ladder Wiring Diagrams. For 208/60/3, 240/60/3, and 480/60/3 electrical power supply.

WEIL-McLAIN
Michigan City, Indiana 46360
A Marley Company