

**CGs - Gold Series Gas Boiler
Weil-McLain**

Water,
Sealed Combustion
NAT'L or LP
MBH: 67-167
Efficiency Range 83%-85%



- **HIGH EFFICIENCY**
- **EASY TO INSTALL AND SERVICE**
- **MADE WITH WEIL-McLAIN QUALITY**

APPLICATIONS INCLUDE:

Residential
Light Commercial
Multiple Boilers
Indirect-fired Water Heating
Radiant Heating
... And Much More



* Only CGs-3 & CGs-4E models



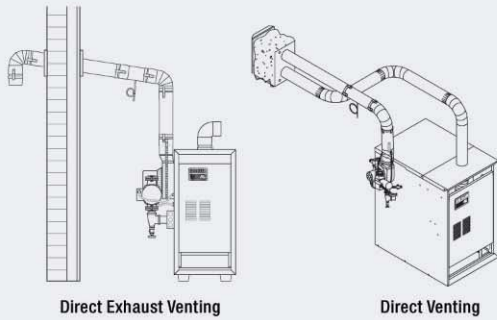
www.weil-mclain.com

Model (1)	Input MBH (2)	DOE Heating Capacity MBH (2)	Net I=B=R Water Ratings MBH (3)	DOE Seasonal Efficiency Percent (AFUE)	Approx. Shipping Weight (Lbs)	Minimum Vent Connector Diameter (4)
CGs-3 (*)	67	57	50	85.3	200	3
CGs-4E (5)(**)	90	77	67	85.0	240	3
CGs-4	100	85	74	84.6	240	3
CGs-5	133	112	97	84.0	280	3
CGs-6	167	140	122	83.4	325	3

Notes:

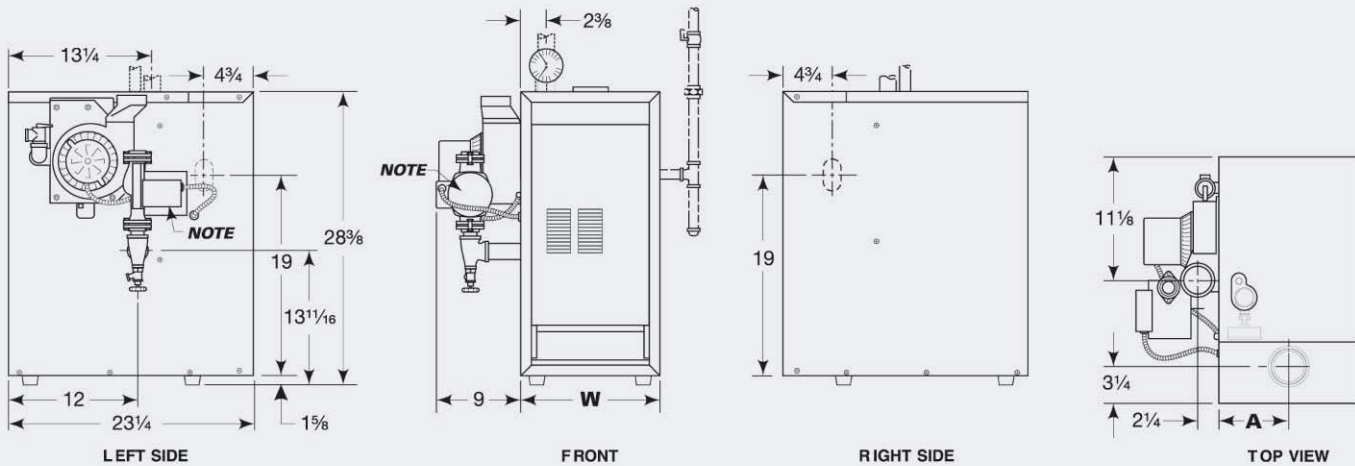
- (1) Add "PIN" for natural gas, "PIL" for propane.
 - (2) Based on standard test procedures prescribed by the United States Department of Energy.
 - (3) Net I=B=R ratings are based on net installed radiation of sufficient quantity for the requirements of the building and nothing needs to be added for normal piping and pick-up. Ratings are based on a piping and pick-up allowance of 115. An additional allowance should be made for unusual piping and pick-up loads.
 - (4) CGs boilers must be vented directly to the outside.
 - (5) CGs-4E is for a direct vent application only. CGs-4E cannot use indoor air for combustion.
- * As an Energy Star Partner, Weil-McLain has determined that the CGs-3 and CGs-4E meet the Energy Star guidelines for energy efficiency. CGs boilers are C.S.A. design certified for installation on combustible flooring. Tested for 50 psi working pressure.

Dimensions



Model	Dimensions		Supply Piping In. (1)	Return Piping In. (1)	Nat or LP Gas Connection Size Inches	Crate Dimensions (Outside Measurements - In.)		
	Inches A	Inches W				Length	Width	Height
CGs-3	6-1/2	13	1	1	1/2	30	27-1/2	31-1/2
CGs-4	8	16	1	1	1/2	30	27-1/2	31-1/2
CGs-4E(**)	8	16	1	1	1/2	30	27-1/2	31-1/2
CGs-5	9-1/2	19	1	1	1/2	33	27-1/2	31-1/2
CGs-6	11	22	1-1/4	1-1/4	1/2	36	27-1/2	31-1/2

- Notes:** (1) Circulator flange supplied with boiler is same size as recommended pipe size. For supply and return boiler tapping size, see installation manual.
 (***) CGs-4E is for direct vent applications only, it cannot be used for direct exhaust vent applications.



Note: Boiler circulator is shipped loose. Circulator may be mounted on either boiler supply or return piping. See dimension chart for pipe size of circulator flange provided.

Standard and Additional Equipment

Standard Equipment:

- Factory Tested
- Two-Piece Top Jacket Panel
- Insulated Extended Steel Jacket
- Cast Iron Sections with Built-in Air Separator
- Radiation Plates
- Steel Base
- Integrated Boiler Control Module with Intermittent Electronic Ignition System & Indicator/Diagnostic Lights
- Inducer Assembly
- Flue Gas Collector/Transition Assembly
- Combination Gas Valve for 24 Volt
- Wiring Harness

- Air Pressure Switch
- Non-Linting Pilot Burner
- High-Grade Stainless Steel Burners
- Sidewall Vent Termination Kit (includes inside and outside plates, vent cap and hardware)
- 40VA Transformer
- Electrical Junction Box
- Rollout Thermal Fuse Element
- High-Limit Temperature Control
- Circulator (when ordered)
- 30 PSI ASME Relief Valve (boiler sections tested for 50 PSI working pressure)
- Combination Pressure-Temperature Gauge
- Drain Valve

Additional Equipment:

- CGs AL29-4C® Starter (same as CGi Starter)
- Taco 007 Circulator
- Expansion Tank Package (expansion tank, fill & check valve, auto air vent and fittings): #109-sizes 3 thru 5; #110-size 6. Shipped in separate carton.
- Through-the-Roof Termination Kit - includes 5"x5"x3" tee, 5" cap, flue support, spacer clamps, debris screen and hardware. 5" Type B vent pipe and fittings must be furnished by installer.
- High Altitude Kits
- W-M 5 & 10 Year Homeowner Protection Plan
- W-M Indirect-fired Water Heaters
- W-M Maxiflo® Pool Heaters
- W-M Baseboard Units

