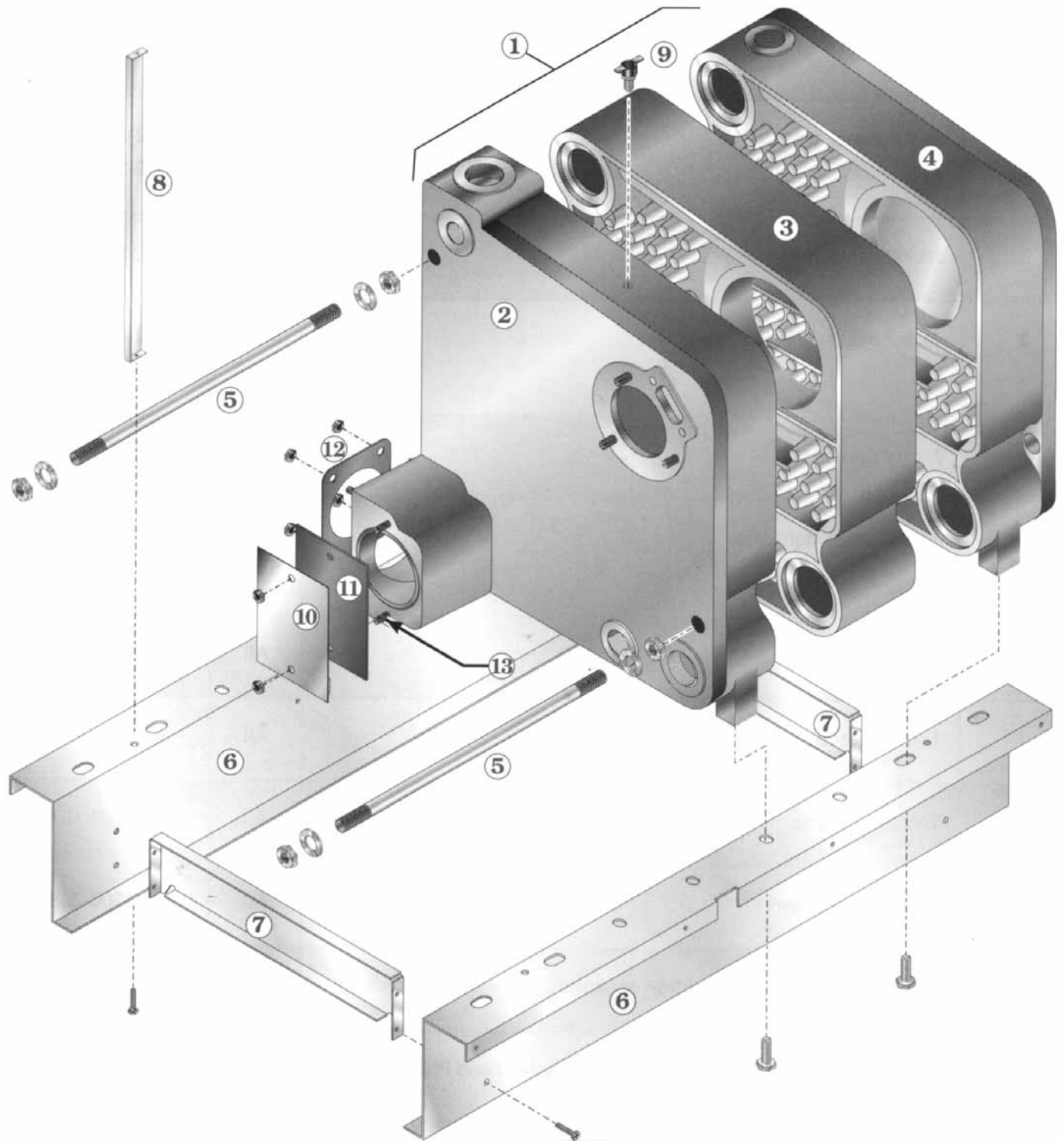


GV Series 3 Section Assembly

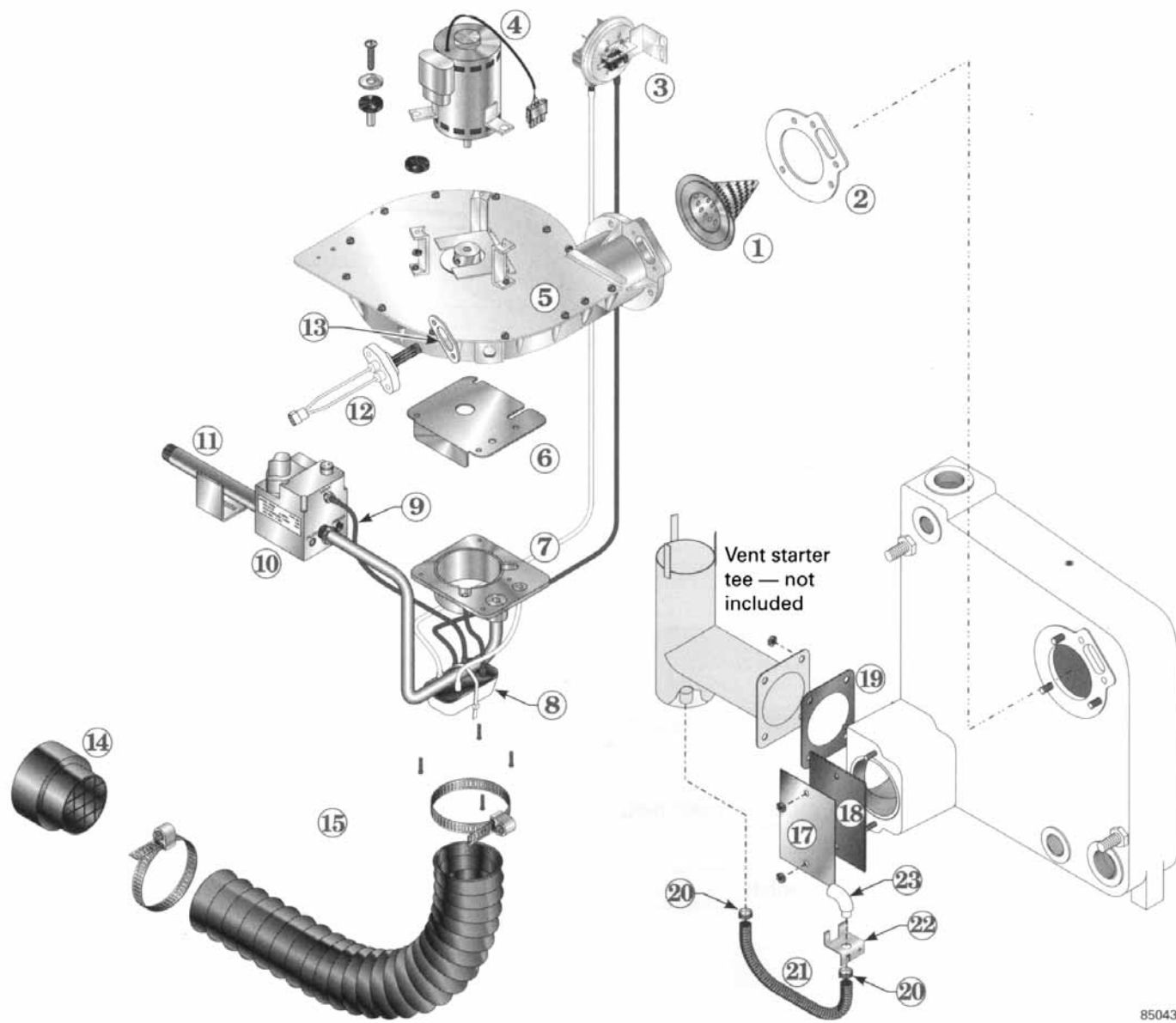


GV Series 3 Section Assembly

| Fig. No. | Part No. | Description | Size | Notes |
|----------|----------------|---|-------|-------|
| 1 | 322-200-280 | Section Assembly, GV-3 (Repair Kit Required) | 3 | |
| 1 | 322-200-281 | Section Assembly, GV-4 (Repair Kit Required) | 4 | |
| 1 | 322-200-282 | Section Assembly, GV-5 (Repair Kit Required) | 5 | |
| 1 | 322-200-283 | Section Assembly, GV-6 (Repair Kit Required) | 6 | |
| | 382-200-391 | Repair Kit, Block Repair Kit, (Includes water tubing – pump to return, male adapter 1" N.P.T., blower flange gasket, igniter, igniter gasket, screws, studs, nuts, washers) | | ■ |
| 2 | 312-200-150 | Front Section 3913 (Repair Kit Required) | All | |
| 3 | 312-200-110 | Intermediate Section 3915 (Repair Kit Required) | All | |
| 4 | 312-200-130 | Back Section 3918 (Repair Kit Required) | All | |
| | 382-200-301 | Repair Kit, Front Section (Includes square cut seals, silicone sealant, tie rod washers, water tubing – pump to return, male adapters 1" N.P.T., blower flange gasket, igniter, igniter gasket, screws, studs, washers, nuts) Series 3 only | | |
| | 382-200-305 | Repair Kit, Intermediate/ Back Sections (Includes square cut seals, silicone sealant, tie rod nuts, tie rod washers – 1 kit per joint) | | |
| 5 | 560-234-499 | 7/16" Tie Rod w/o Nut (2 per Boiler): GV-3 (10-1/2") | 3 | |
| 5 | 560-234-525 | 7/16" Tie Rod w/o Nut (2 per Boiler): GV-4 (14") | 4 | |
| 5 | 560-234-503 | 7/16" Tie Rod w/o Nut (2 per Boiler): GV-5 (18") | 5 | |
| 5 | 560-234-504 | 7/16" Tie Rod w/o Nut (2 per Boiler): GV-6 (21") | 6 | |
| | 561-928-235 | Regular Hex Nut 7/16" (2 per Tie Rod) | All | |
| | 562-248-684 | Washer, Medium Plain Split Lock 7/16 (1 per Tie Rod) | All | |
| 6 | 452-100-170 | Base Rail Leg, GV-3 & 4 | 3 & 4 | |
| 6 | 452-100-172 | Base Rail Leg, GV-5 & 6 | 5 & 6 | |
| 7 | 452-100-080 | Base Rail Brace | All | |
| 8 | 452-100-111 | Blower Housing Support | All | |
| 9 | 382-200-375 | Block Temperature Limit Switch Kit 350° Open - 250° Close | All | |
| 10 | 560-907-629 | Inspection Port Cover | All | |
| 11 | 590-317-628 | Inspection Port Gasket | All | |
| 12 | 590-317-629 | Starter Tee Gasket | All | |
| 13 | 560-340-581 | Stud, 5/16" – 18 x 1.25 | All | |
| 13A | Obtain locally | 5/16-182 P nuts with nylon | | |

■ Block Repair Kit is required if replacing the entire block

GV Series 3 Blower Assembly Components



85043

GV Series 3 Blower Assembly Components

| Fig. No. | Part No. | Description | Mfr. | Mfr.'s Part No. | Notes |
|----------|-------------|--|-------------|-----------------|-------|
| 1 | 382-200-320 | Burner Replacement Kit GV-3 (Includes burner cone and ring assembly, blower flange gasket, igniter, igniter screws, igniter washers, igniter gasket) | Weil-McLain | | |
| 1 | 382-200-325 | Burner Replacement Kit GV-4 (Includes items listed above) | Weil-McLain | | |
| 1 | 382-200-330 | Burner Replacement Kit GV-5 (Includes items listed above) | Weil-McLain | | |
| 1 | 382-200-335 | Burner Replacement Kit GV-6 (Includes items listed above) | Weil-McLain | | |
| 2 | 590-317-610 | Blower Flange Gasket | Weil-McLain | | |
| 3 | 511-624-520 | Air Pressure Switch (0 – 5500' Elevation) | Tridelta | FS6330-527 | |
| 3 | 382-200-317 | Air Pressure Switch Kit – High Altitude (5500 – 10,000' Elevation) | Tridelta | FS7008-1269 | |
| 4 | 382-200-345 | Blower Motor Replacement Kit (Includes Blower motor, motor mount grommets, screws, lock nuts, alan wrench). Fasco 7162-2941 | Weil-McLain | | |
| 5 | 382-200-340 | Blower Housing Assembly Replacement Kit (Includes blower housing, observation port window, blower housing cover plate, blower motor mounting brackets, washer hold down bracket, lock nuts, motor mount grommets, blower motor, blower wheel, magnetic washer, silicone sealant, screws, blower flange gasket, igniter, igniter screws, igniter washers, igniter gasket) | Weil-McLain | | |
| 6 | 510-811-600 | Conversion Kit, Nat. to Propane (Includes propane orifice plate, label) GV-3 | Weil-McLain | | |
| 6 | 510-811-605 | Conversion Kit, Nat. to Propane (Includes propane orifice plate, label) GV-4 | Weil-McLain | | |
| 6 | 510-811-610 | Conversion Kit, Nat. to Propane (Includes propane orifice plate, label) GV-5 | Weil-McLain | | |
| 6 | 510-811-615 | Conversion Kit, Nat. to Propane (Includes propane orifice plate, label) GV-6 | Weil-McLain | | |
| 6 | 510-811-620 | Conversion Kit, Propane to Nat. (Includes natural orifice plate, label) GV-3 | Weil-McLain | | |
| 6 | 510-811-625 | Conversion Kit, Propane to Nat. (Includes natural orifice plate, label) GV-4 | Weil-McLain | | |
| 6 | 510-811-630 | Conversion Kit, Propane to Nat. (Includes natural orifice plate, label) GV-5 | Weil-McLain | | |
| 6 | 510-811-635 | Conversion Kit, Propane to Nat. (Includes natural orifice plate, label) GV-6 | Weil-McLain | | |
| 7 | 382-200-355 | Gas/Air Manifold Assembly (Includes Gas/Air manifold, gas tubing, washer, hose barbs, o-rings, condensate trap, hoses, and bracket) | Weil-McLain | | |
| 8 | 382-200-409 | Sense Line Condensate Kit (Includes condensate trap, hoses) | Weil-McLain | | |
| 9 | 590-317-647 | Gas Valve Tubing to Gas/Air Manifold | Weil-McLain | | |
| 10 | 382-200-410 | Gas Valve Replacement Kit (Includes gas valve, manifold, bracket) | Weil-McLain | | |
| 11 | 591-126-800 | Gas Manifold Assembly (Includes gas supply manifold, bracket) | Weil-McLain | | |
| 12 | 511-330-148 | Igniter Replacement Kit (Includes igniter, gasket) | Weil-McLain | | |
| 13 | 590-317-599 | Igniter Gasket (Included in Igniter Replacement Kit) | | | |
| 14 | 560-907-635 | Inlet Air Fitting | Weil-McLain | | |
| 15 | 382-200-315 | Inlet Air Kit (includes Inlet Air Hose, Hose Clamp, 3") | Weil-McLain | | |
| 17 | 560-907-629 | Inspection Port Cover | Weil-McLain | | |
| 18 | 590-317-628 | Inspection Port Gasket | Weil-McLain | | |
| 19 | 590-317-629 | Starter Tee Gasket | Weil-McLain | | |
| 20 | 382-200-385 | Hose Trap Replacement Kit | Weil-McLain | | |
| 21 | | Condensate Trap Hose (Included in Hose Trap Replacement Kit) | | | |
| 22 | 452-100-112 | Drain Bracket | Weil-McLain | | |
| 23 | 560-907-650 | Drain Ell | | | |
| | 382-200-406 | Condensate drain line check valve kit | | | |
| | 382-200-430 | Vent/Air Intake Terminal Kit S.S. (Includes Intake/Exhaust Cap, Coupling, Mounting and Backing Plate, Exhaust Tube Spacer, Anchors, Screws, and Washers) | Weil-McLain | | |
| | 590-317-599 | Igniter Gasket | Weil-McLain | | |

See page 63 for vent starter studs and nuts

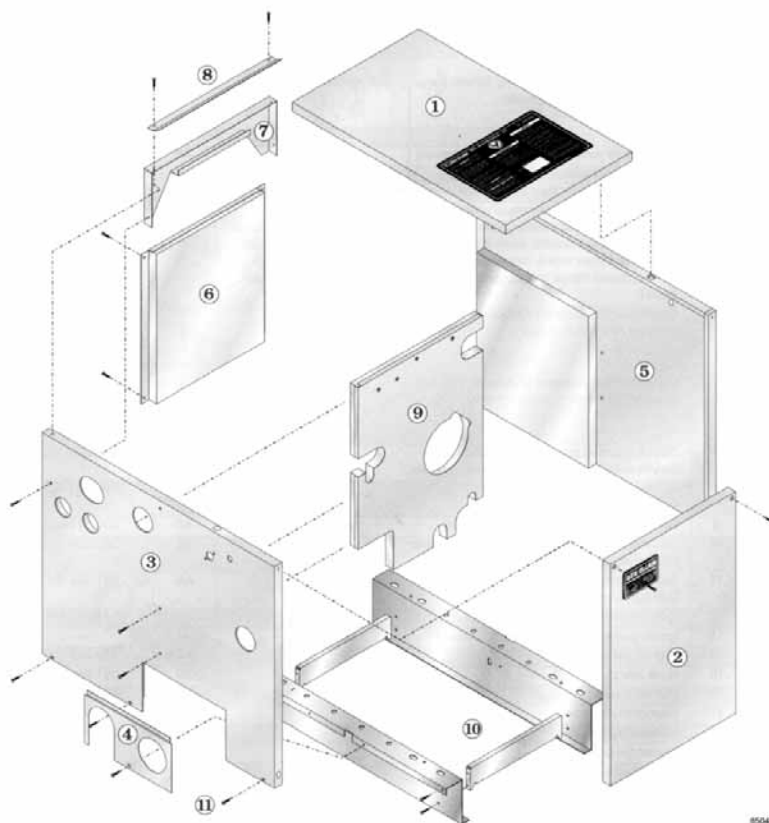
GV Series 3 Trim



GV Series 3 Trim

| Fig. No. | Part No. | Description | Mfr. | Mfr.'s Part No. | Notes |
|---|-------------|---|-------------|--------------------|-------|
| 1 | 510-312-021 | High Limit Temperature Control, SPST, Automatic Recycle, 160-220°F Range, 30°F Fixed Subtractive Differential, 1/2" N.P.T. Brass Control Well | Honeywell | L4080D1226 | |
| 2 | 511-546-920 | ASME Pressure Relief Valve, Set to Relieve at 30 PSIG, 1/4" N.P.T. Male Inlet, Brass, Side Outlet | Watts | M330 | |
| 3 | 510-218-099 | Combination Pressure-Temperature Gauge, 2-1/2" Dial, 0-60 PSIG, 70-250°F, Short Shank, Back Connection, 1/4" N.P.T. | ENFM | 4104 | |
| 3 | 510-218-099 | Combination Pressure-Temperature Gauge, 2-1/2" Dial, 0-60 PSIG, 70-250°F, Short Shank, Back Connection, 1/4" N.P.T. Spec. 199994 | Ametek | PT 1088 | |
| 3 | 510-218-047 | Combination Pressure-Temperature Gauge, 2-1/2" Dial, 0-60 PSIG, 70-250°F, Short Shank, Back Connection, 1/4" N.P.T. Spec. 199994, with shut-off | ENFM | 4104-3-1/2-60 | |
| 4 | 511-210-392 | Drain Valve, 1/4" N.P.T | Hammond | 710 | |
| 5 | 511-405-113 | System Circulator, 1/25 HP, 120/60/1 Motor, 1,750 RPM, 0.75 Amps | Taco | 007F | |
| | 511-405-113 | Bypass Circulator, 1/25 HP, 120/60/1 Motor, 1,750 RPM, 0.75 Amps | Taco | 007F | |
| 6 | 590-317-543 | Circulator Gasket | Taco | 110-339 | |
| 7 | 381-354-525 | 1" Universal Hardware Kit (Includes Flange, Gasket, Screws, Nuts) | Weil-McLain | | |
| 8 | 591-391-824 | Wiring Harness, Dual Circulators to Control Module | Weil-McLain | | |
| NS | 560-742-938 | Copper return bend, 1", Requires 2 - 1" N.P.T. x 1" sweat adapters which can be obtained locally | Weil-McLain | | |
| | 511-330-089 | Return Water Temperature Sensor (with clip) | UT | JW4465 | |
| | 511-330-089 | Return Water Temperature Sensor (with clip) | Keystone | JW4465 | |
| 11 | 382-200-375 | Block Temperature Switch 350° Open - 250° Close | Elmwood | 2455 RC-174-113 | |
| ADDITIONAL WATER TRIM COMPONENTS | | | | | |
| 12 | 510-148-565 | Coin Vent, 1/8" N.P.T. (Reducing Coupling Required) | Keeney | #4SN | |
| 13 | 510-632-088 | Fill-Trol Diaphragm Expansion Tank, (Tank Only) with "O" Ring and Machine Thread Connection to Fill Valve | Amtrol | 109 | |
| 13 | 510-632-089 | Fill-Trol Diaphragm Expansion Tank, (Tank Only) with "O" Ring and Machine Thread Connection to Fill Valve | Amtrol | 110 | |
| 14 | 511-210-433 | Fill Valve, Angle Style-90°, with Built-In Strainer, Pressure Reducer, Check Valve, and Manual Shut-off | Conbraco | MX3907 | |
| | 382-200-420 | Fill-Trol Package Tank Kit with Fittings | Amtrol | 109 | |
| | 382-200-425 | Fill-Trol Package Tank Kit with Fittings | Amtrol | 110 | |

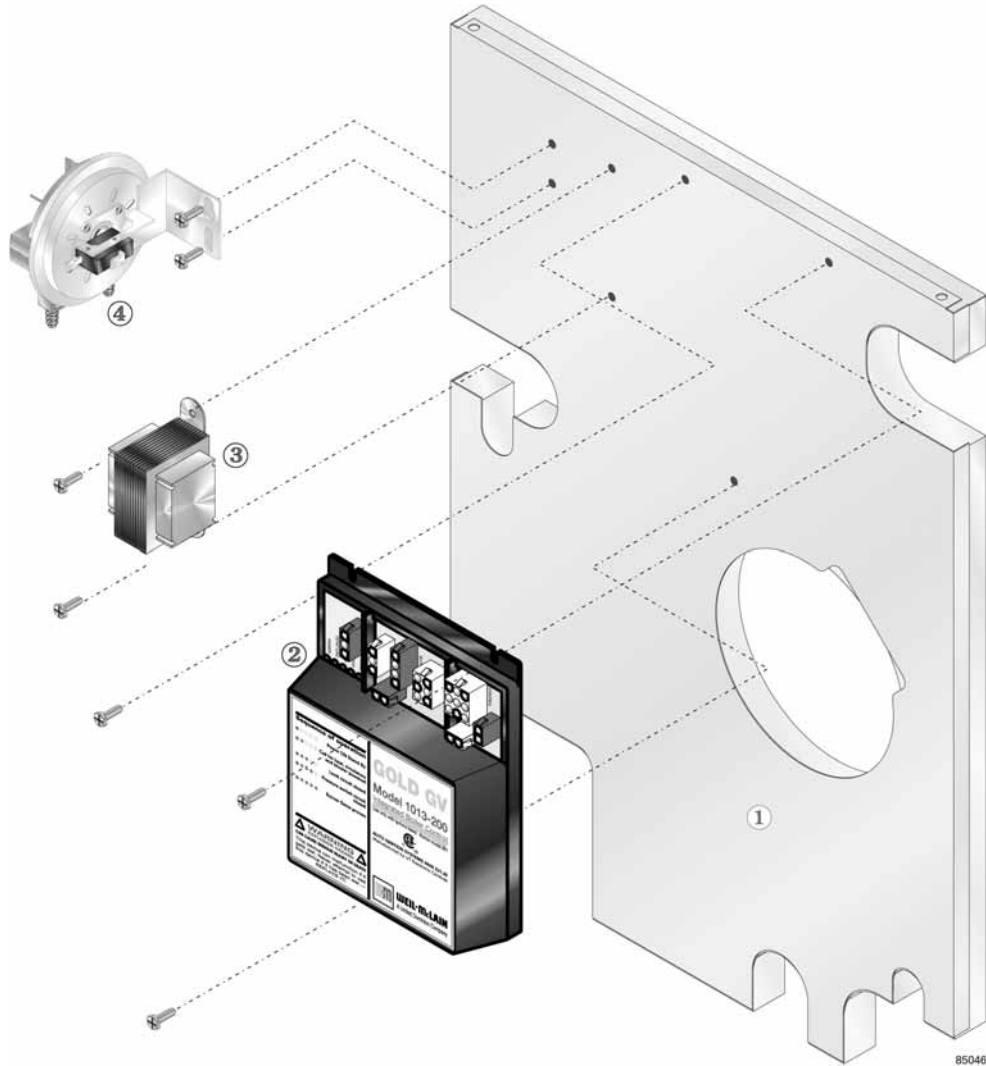
GV Series 3 Jackets



85642

| Fig. No. | Part No. | Description | Boiler Size | Notes |
|----------|-------------|--|-------------|-------|
| | 569-928-025 | Jacket Hardware | All | |
| 1 | 422-200-146 | Jacket Panel, Top | 3 & 4 | |
| 1 | 422-200-150 | Jacket Panel, Top | 5 & 6 | |
| 2 | 422-200-140 | Jacket Panel, Front (order front pocket, if required) | All | |
| | 422-200-139 | Jacket Panel, Front Pocket (order with item 2, if required) | All | |
| 3 | 422-200-234 | Jacket Panels, left and right side | 3 & 4 | |
| 3 | 422-200-236 | Jacket Panels, left and right side | 5 & 6 | |
| 4 | 422-200-230 | Jacket Panel, Access | All | |
| 5 | | Jacket Panels, left and right side (see figure # 3) | 3 & 4 | |
| 5 | | Jacket Panels, left and right side (see figure # 3) | 5 & 6 | |
| 6 | 422-200-135 | Jacket Panel, Rear | All | |
| 7 | 422-200-232 | Top Rail Brace | All | |
| 8 | 422-200-137 | Top Rail Cross Tie | All | |
| 9 | 422-200-228 | Jacket Panel, Interior | All | |
| 10 | | Base Rail Assembly – See Boiler Parts List for Components (PG.3) | | |
| | 592-000-000 | Gold Touch Up Paint | All | |

GV Series 3 Ignition Controls



| Fig. No. | Part No. | Description | Mfr. | Mfr.'s Part No. | Notes |
|----------|-------------|--|--------------------|-----------------|-------|
| 2 | 382-200-448 | Gold Module Conversion Kit | UT | 1013-200 | |
| 3 | 511-842-370 | Control Transformer, 120/24 Volt with Plug-In Connectors | Honeywell | AT140B1297 | |
| 3 | 511-842-370 | Control Transformer, 120/24 Volt with Plug-In Connectors | Basler | BE111640GDD | |
| 3 | 511-842-370 | Control Transformer, 120/24 Volt with Plug-In Connectors | Products Unlimited | 4000-01V18R223 | |
| 4 | 511-624-520 | Air Pressure Switch (0-5500' Elevation) | Tridelta | FS6330-527 | |
| 5 | 591-391-821 | Wiring Harness, Control Module to Junction Box | Weil-McLain | | |
| 6 | 591-391-819 | Wiring Harness, Control Module to Hot Surface Igniter | Weil-McLain | | |
| 7 | 591-391-824 | Wiring Harness, Control Module to System and By-Pass Circulators | Weil-McLain | | |
| 8 | 591-391-892 | Wiring Harness, Control Module to Controls | Weil-McLain | | |