



GV SERIES 4

Gas Valve Kit

Part Number 382-200-411

Replacement Instructions

WARNING Hazards that can cause severe personal injury, death or substantial property damage.

WARNING These instructions must only be used by a qualified installer/service technician. Read completely before beginning the installation. Failure to follow all instructions can cause severe personal injury, death or substantial property damage.

WARNING Turn off gas and electricity before replacing gas valve. Failure to do so can cause severe personal injury, death or substantial property damage.

Contents of Kit:

- Gas valve with bracket and gas cock.
- O-ring for manifold gas valve fitting.
- Miscellaneous hardware: screws to mount manifold to inducer housing, to mount gas valve to inducer housing, to mount manifold fitting to gas valve, plastic tie wrap (not needed).
- Instructions.

Tools Required:

- #2 Phillips screwdriver
- 5/16" wrench or socket
- Small pipe wrench
- 10" crescent wrench
- #7 metric wrench or socket

Remove:

1. Boiler front and top panels.
2. Loosen gas line union.
3. Wiring plug from gas valve.
4. Four #7 metric head screws securing gas valve fitting on manifold side of gas valve.
5. Two 5/16" hex head screws securing gas valve to inducer housing.
6. Gas valve assembly.
7. Union half and nipple from inlet of gas cock for re-use with new gas valve.

Install new gas valve:

8. Union half and nipple into gas cock. Apply pipe dope sparingly to threads before assembly. **Use only pipe dope listed for use with liquified petroleum gases.**
9. Using new O-ring that came with new gas valve, install manifold gas valve fitting to new gas valve with four #7 metric head screws removed earlier.

WARNING Carefully set O-ring in manifold fitting groove to insure proper fit as manifold fitting is mated to gas valve. Failure to do so can result in a fire or explosion causing severe personal injury or property damage.

10. Secure gas valve bracket to inducer housing with screws provided.
11. Refer to GV Boiler Manual and Lighting Instructions on inside jacket top label or in Boiler Manual. Follow all steps in Boiler Manual Start-Up section to verify boiler and components are operating correctly.

WARNING Do not disassemble blower housing. A fire or explosion causing severe personal injury or property damage can result.

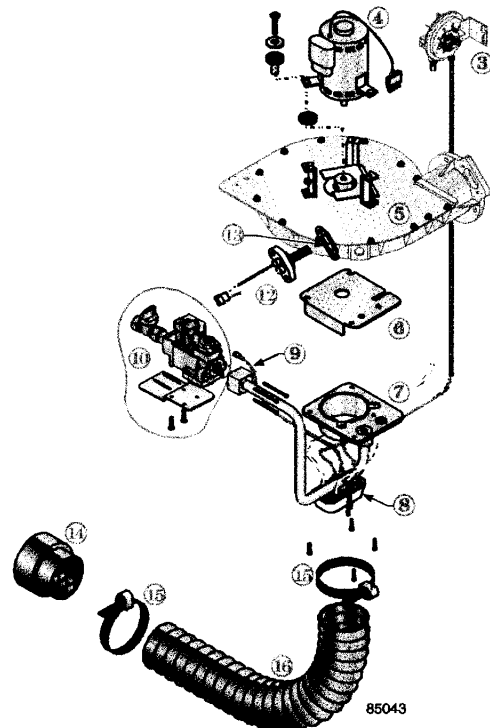


Figure 1



Weil-McLain
500 Blaine Street
Michigan City, IN 46360-2388
<http://www.weil-mclain.com>

Part number 550-141-883/0601